

HW-ROM

SELF-SERVE / CHEESE / DELI / MEAT / SALAD / SUSHI / SANDWICH CASE

DESCRIPTION OF STANDARD UNIT:

- Gravity cooling
- Construction of powder-coated steel
- ABS sides
- Front made of powder-coated steel
- Chrome bumper
- Stainless steel worktop
- Stainless steel storage chamber (except corners)
- Heater under evaporator (except corners)
- Heated Aluminum glass profile
- Automatic water Evaporation
- Temp. range* for version with gravity cooling (G): 0 ÷ +4 °C
- Digital temperature control

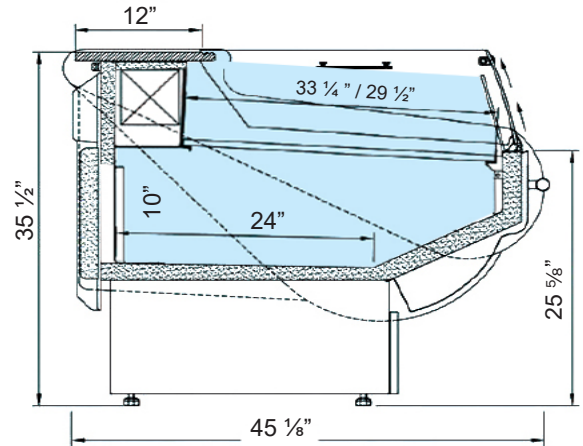


OPTIONS:

- For external condensing unit
- Serve-over version, temp. range*: 0 ÷ +4 °C
- Forced cooling version, temp. range (F): 0 ÷ +4 °C
- White lighting
- Multiplexing
- Granite worktop
- Wheels
- Cash registers cabinet

SPECIFICATIONS

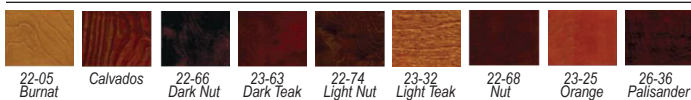
MODEL	LENGTH	DEPTH	HEIGHT	WEIGHT (LBS / KG)	ELECTRICAL
HW3-ROM	42 1/2"	44 1/2"	35 1/2"	284 / 128	115V / 60Hz / 1ph 6 AMP
HW4-ROM	52 1/4"	44 1/2"	35 1/2"	345 / 156	115V / 60Hz / 1ph 6 AMP
HW5-ROM	62 1/8"	44 1/2"	35 1/2"	390 / 177	115V / 60Hz / 1ph 8 AMP
HW6-ROM	81 3/8"	44 1/2"	35 1/2"	465 / 211	115V / 60Hz / 1ph 8 AMP
HW8-ROM	101 1/2"	44 1/2"	35 1/2"	645 / 293	115V / 60Hz / 1ph 8 AMP
HW10-ROM	121 1/4"	44 1/2"	35 1/2"	811 / 368	115V / 60Hz / 1ph 10.5 AMP
HW12-ROM	150 5/8"	44 1/2"	35 1/2"	990 / 449	115V / 60Hz / 1ph 11 AMP



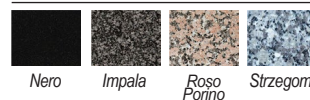
* Temperature range given for max ambient temp of +25°C and relative humidity of 60%.
 ** Cooling power demand: 400 W/1mr at evaporating temp. -10°C (F); 350W/1mr at evaporating temp. -25°C (G).
 *** We reserve the right to modify or change the technical specifications of the product without prior notice.



Wood Stains



Granite Finishes



Available Colors

