

## CR-SGF

### SQUARE FRONT GLASS GELATO DISPLAY

#### DESCRIPTION OF STANDARD UNIT:

- Construction of powder-coated steel
- LED lighting
- Front panel made of powder-coated steel - highlighted
- (blue lighting for RAL 9006, white lighting for rest colors)
- MDF sides
- Side glasses with heaters
- Stainless steel worktop
- Plexiglas night curtain
- White lighting
- Gelato pans
- Forced cooling
- Temp. range\*: -12 ÷ -24°C
- Automatic defrosting
- Automatic water Evaporation
- Front opening glass
- Digital temperature control

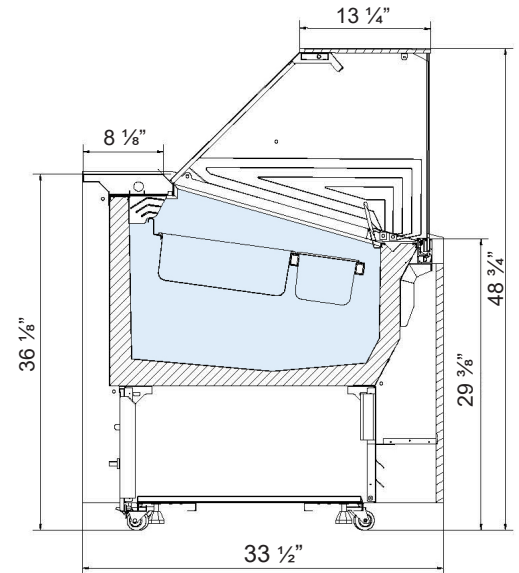
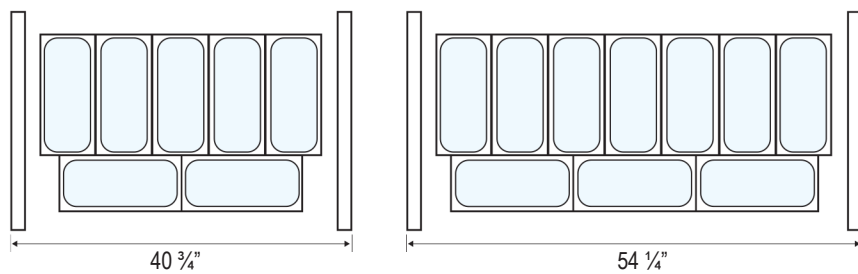
#### OPTIONS:

- Wheels
- Spoon washer
- For individual decoration
- Wooden casing

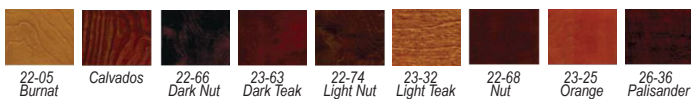


\* Temperature range given for max ambient temp of +30°C and relative humidity of 55%.  
 \*\* Cooling power demand: 400 W/1mr at evaporating temp. -10°C (Hawana W); 350W/1mr at evaporating temp. -25°C

MODEL	LENGTH	DEPTH	HEIGHT	QTY OF PANS	WEIGHT (LBS / KG)	ELECTRICAL
CR7-SGF	41 3/4"	33 1/2"	48 3/4"	7	353 / 160	115V / 60Hz / 1ph / 5 / 13 AMP
CR10-SGF	54 1/4"	33 1/2"	48 3/4"	10	419 / 190	115V / 60Hz / 1ph / 9 / 22 AMP



#### Wood Stains



#### Available Colors

