

SR-GF

CURVED FRONT GLASS GELATO DISPLAY CASE

DESCRIPTION OF STANDARD UNIT:

- Construction of powder-coated steel
- LED Lighting
- MDF front panel and sides
- Front and side glasses with heaters
- Side and front glasses with silver serigraphy
- Silver finishes
- Stainless steel worktop
- Night blind
- White lighting
- Wheels
- Forced cooling
- Temp. range*: -12 ÷ -24°C
- Automatic defrosting
- Automatic water Evaporation
- Ice-cream containers
- Front opening glass
- Digital temperature control

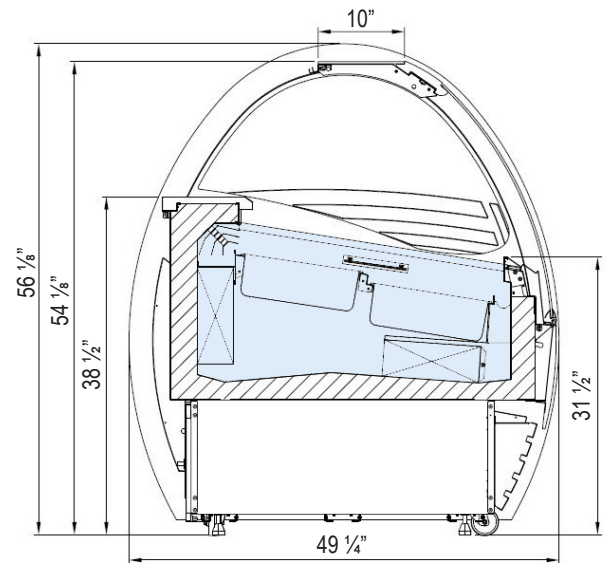


OPTIONS:

- Spoon washer
- For individual decoration
- Wooden casing
- Highlighted Plexiglas front
- Water cooled condenser

* Temperature range given for max ambient temp of +30°C and relative humidity of 55%.
 ** Cooling power demand: 400 W/1mr at evaporating temp. -10°C (Hawana W); 350W/1mr at evaporating temp. -25°C

SPECIFICATIONS						
MODEL	LENGTH	DEPTH	HEIGHT	NUMBERS OF PANS	WEIGHT (LBS / KG)	ELECTRICAL
SR12-GF	46 1/2"	49 1/4"	56 1/8"	12	441 / 200	220V / 60Hz / 1ph 8 AMP
SR18-GF	66 1/4"	49 1/4"	56 1/8"	18	617 / 280	220V / 60Hz / 1ph 12 AMP
SR24-GF	89 3/4"	49 1/4"	56 1/8"	24	728 / 330	220V / 60Hz / 1ph 14 AMP



Available Colors

