

DC-ROM

REFRIGERATED OPEN MERCHANDISER

DESCRIPTION OF STANDARD UNIT:

- LED lighting
- Construction of powder-coated steel
- MDF sides with glass
- 5 rows of adjustable shelves
- Top lighting
- Highlighted shelves
- White lighting
- Night blind
- EPOS ticket strips
- Forced cooling
- Temp. range* : 0 ÷ +4 °C
- Automatic water evaporation
- Digital temperature control

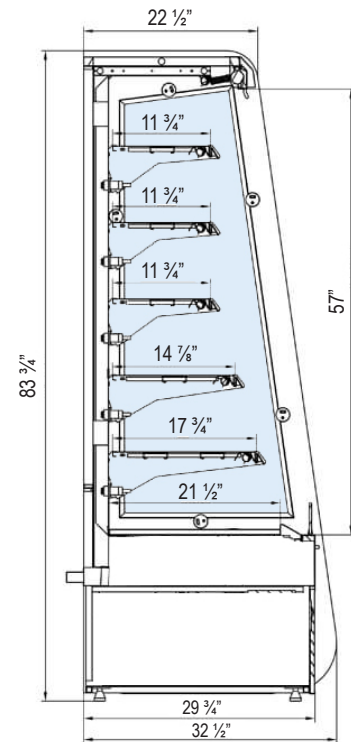


OPTIONS:

- Multiplexing
- External condensing unit (AZ)**
- Stainless steel shelves & base decks
- Back panel from mirrored stainless steel
- Angled mirrored stainless steel roof
- Stoppers: wired or from Plexiglas
- Profile with hooks
- Wheels
- Heater under evaporator

SPECIFICATIONS

MODEL	LENGTH	DEPTH	HEIGHT	WEIGHT (LBS / KG)	ELECTRICAL
DC3-ROM	42 1/2"	32 5/8"	83 7/8"	441 / 200	115V / 60Hz / 1ph 15 AMP
DC4-ROM	50 1/4"		83 7/8"	485 / 220	115V / 60Hz / 1ph 15 AMP
DC5-ROM	60 1/4"		83 7/8"	551 / 250	220V / 60Hz / 1ph 13.5 AMP
DC6-ROM	74 1/8"		83 7/8"	595 / 270	220V / 60Hz / 1ph 13.5 AMP
DC7-ROM	81 7/8"		83 7/8"	639 / 290	220V / 60Hz / 1ph 15 AMP



* Temperature range given for maximum ambient temperature of +25°C and relative humidity 60%.

** Cooling power demand: 1500 W/1mr at evaporating temp. -10°C. Automatic water evaporation on request.

*** In version with doors: only top lighting



Available Colors

