

## CN-GF

### HORIZONTAL GLASS TOP GELATO DISPLAY CASE

#### DESCRIPTION OF STANDARD UNIT:

- Forced cooling
- Construction of stainless steel, casing of ABS plate
- LED Lighting
- Lift up system of horizontal glass
- Stainless steel worktop
- Wheels and adjustable feet
- Temp. range\*: -12 ÷ -24°C
- Automatic defrosting
- Automatic water Evaporation
- Ice-cream containers
- Digital temperature control

#### OPTIONS:

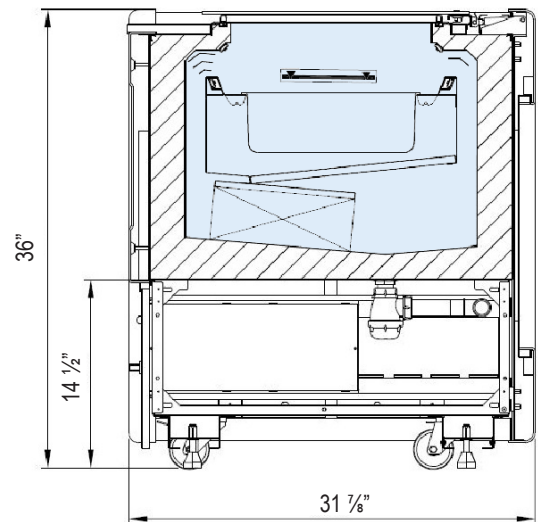
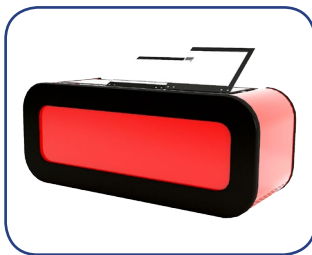
- Spoon washer
- For individual decoration

\* Temperature range given for max ambient temp of +30°C and relative humidity of 55%.

\*\* Cooling power demand: 400 W/1mr at evaporating temp. -10°C (Hawana W); 350W/1mr at evaporating temp. -25°C



SPECIFICATIONS						
MODEL	LENGTH	DEPTH	HEIGHT	NUMBERS OF PANS	WEIGHT (LBS / KG)	ELECTRICAL
CN9-GF	85 1/4"	32"	36"	9	441 / 200	115V / 60Hz / 1ph 13.5 AMP



#### Available Colors

