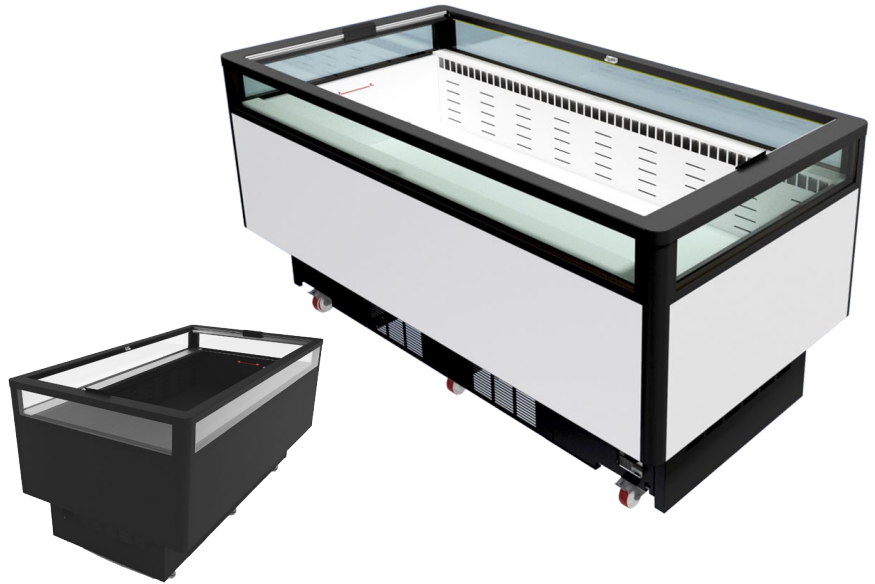


ALP-ICF DUAL TEMP REFRIGERATOR | FREEZER ISLAND BUNKER

DESCRIPTION OF STANDARD UNIT:

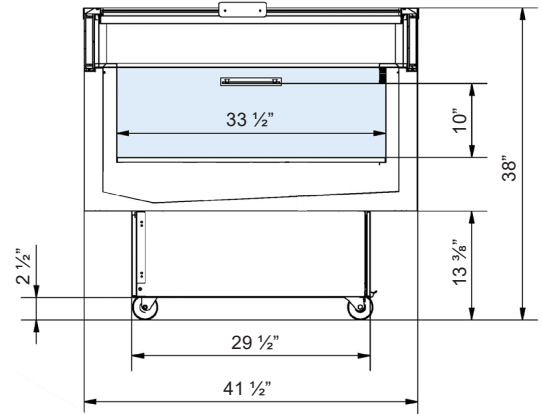
- Dual Temperature, Freezer or cooler
- Forced cooling
- Automatic defrosting
- Display made of galvanized steel
- Double glazed sides
- LED lighting, white
- Temp. range*: 0 ÷ +4 °C Refrigerator
- Temp. range*: -12 ÷ -22 °C Freezer
- Automatic water Evaporation
- Digital temperature control
- Night curtain
- Cabinet on casters with a brake



OPTIONS:

- Version for external condensing unit (AZ)**
- Colors

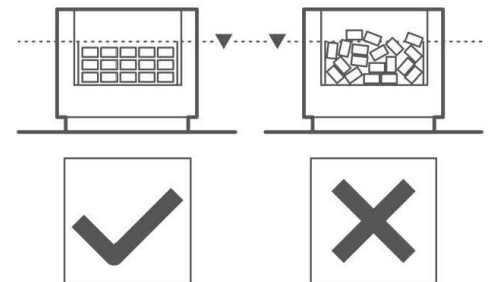
SPECIFICATIONS					
MODEL	LENGTH	DEPTH	HEIGHT	WEIGHT (LBS / KG)	ELECTRICAL
ALP6-ICF	74 7/8"	41 1/2"	38"	597 / 355	220V / 60Hz / 1ph / 7 - 15 AMPS
ALP8-ICF	98 1/2"			795 / 467	220V / 60Hz / 1ph / 7.5 - 17 AMPS



Temperature range given for maximum ambient temperature of +25°C and relative humidity 60%.

** Cooling power demand: 1200 W/1mr at evaporating temp. -10°C. Automatic water evaporation on request.

** Values are provided for an evaporation temp. of -10 °C, condensation temp. of +45°C, ambient temp of +25°C and relative humidity of 60%.



- Perfect for impulse selling
- Good visibility of goods
- Accessories for an attractive presentation of frozen food
- Island available in cooling, freezing and dual temp.

Available Colors

