

MDSNF-RD

SLIM-LINE STRAIGHT FRONT GLASS FISH CASE

DESCRIPTION OF STANDARD UNIT:

- Gravity cooling
- Coated evaporator coil
- LED Market lighting
- Construction of powder-coated steel
- ABS sides
- Front made of powder-coated steel
- Stainless steel worktop
- Ice pan
- Stainless steel storage chamber
- Heater under evaporator (except corners)
- Heated Aluminum glass profile
- Temp. range* for version with gravity cooling (G): 0 ÷ +4 °C
- Automatic water evaporation
- Front opening glass
- Digital temperature control



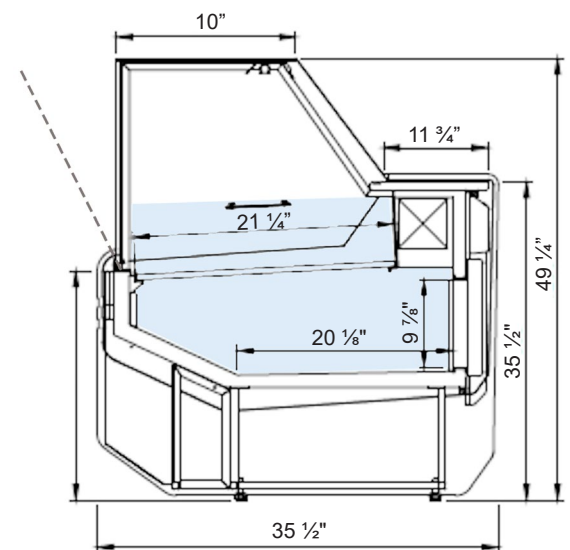
OPTIONS:

- For external condensing unit
- Hot version (HW-H) - temp. range*: +40 ÷ +90 °C
- Self-service version, temp. range*: 0 ÷ +4 °C
- White lighting
- Multiplexing
- Cash registers cabinet
- Granite worktop
- Wheels
- Dry version

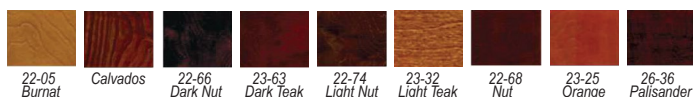
* Temperature range given for max ambient temp of +25°C and relative humidity of 60%.
 ** Cooling power demand: 400 W/1mr at evaporating temp. -10°C (F); 350W/1mr at evaporating temp. -25°C (G).

SPECIFICATIONS

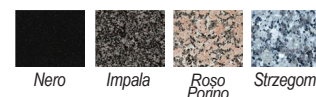
MODEL	LENGTH	DEPTH	HEIGHT	WEIGHT (LBS / KG)	ELECTRICAL
MDSNF4-RD	52 ¼"	36"	49 ¼"	298 / 135	115V / 60Hz / 1ph 6 AMP
MDSNF5-RD	62 ½"	36"	49 ¼"	364 / 165	115V / 60Hz / 1ph 8 AMP
MDSNF6-RD	81 ¾"	36"	49 ¼"	463 / 210	115V / 60Hz / 1ph 8 AMP
MDSNF8-RD	101 ½"	36"	49 ¼"	540 / 245	115V / 60Hz / 1ph 8 AMP



Wood Stains



Granite Finishes



Available Colors

