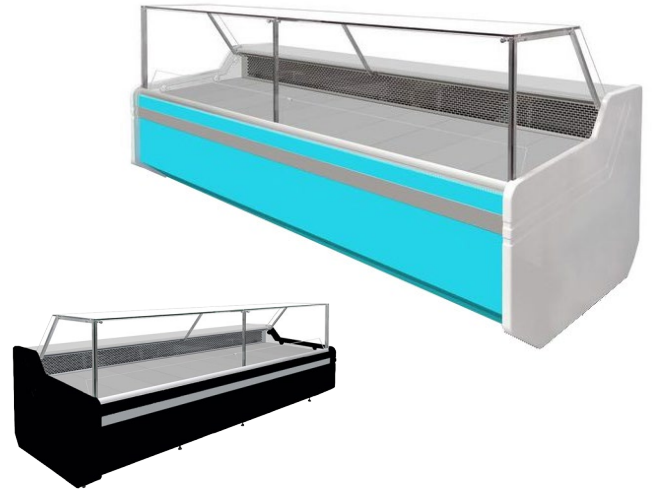


MDSN-RD SLIM-LINE - 36" DEPTH

STRAIGHT FRONT GLASS CHEESE / DELI / MEAT / FISH / SALAD / SANDWICH CASE

DESCRIPTION OF STANDARD UNIT:

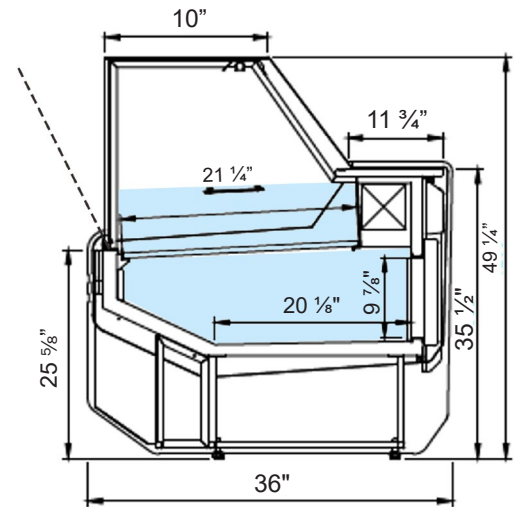
- 2 versions: with gravity (G) or forced (F) cooling
- LED Market lighting
- Construction of powder-coated steel
- ABS sides
- Front made of powder-coated steel
- Stainless steel worktop
- Stainless steel storage chamber
- Heater under evaporator (except corners)
- Heated Aluminum glass profile
- Temp. range* for version with forced cooling (F): 0 ÷ +4 °C
- Temp. range* for version with gravity cooling (G): 0 ÷ +4 °C
- Automatic water evaporation
- Front opening glass
- Digital temperature control



OPTIONS:

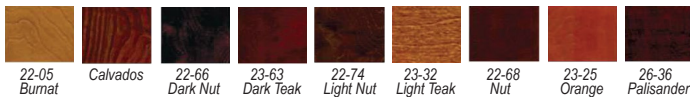
- For external condensing unit
- Hot version (HW-H) - temp. range*: +40 ÷ +90 °C
- Self-service version, temp. range*: 0 ÷ +4 °C
- Fish version, temp. range (F): 0 ÷ +4 °C
- White lighting
- Multiplexing
- Cash registers cabinet
- Granite worktop
- Wheels
- Dry version

SPECIFICATIONS					
MODEL	LENGTH	DEPTH	HEIGHT	WEIGHT (LBS / KG)	ELECTRICAL
MDSN4-RD	52 1/4"	36"	49 1/4"	242 / 110	115V / 60Hz / 1ph / 6 AMP
MDSN5-RD	62 1/8"	36"	49 1/4"	298 / 135	115V / 60Hz / 1ph / 8 AMP
MDSN6-RD	81 3/4"	36"	49 1/4"	375 / 170	115V / 60Hz / 1ph / 8 AMP
MDSN8-RD	101 1/2"	36"	49 1/4"	441 / 200	115V / 60Hz / 1ph / 8 AMP

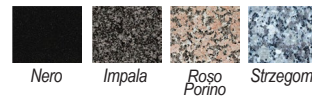


* Temperature range given for max ambient temp of +25°C and relative humidity of 60%.
 ** Cooling power demand: 400 W/1mr at evaporating temp. -10°C (F); 350W/1mr at evaporating temp. -25°C (G).

Wood Stains



Granite Finishes



Available Colors

