

JK-CHD

CURVED FRONT GLASS HOT FOOD DISPLAY

DESCRIPTION OF STANDARD UNIT:

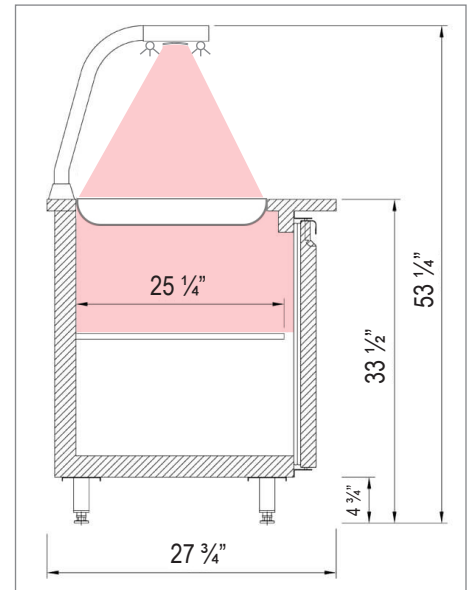
- Construction of powder steel
- ABS sides
- Stainless steel work top
- Dual heated system, with upper infrared heating
- Top LED lighting
- Temp. range* : +35 ÷ +90 °C
- Digital temperature control

OPTIONS:

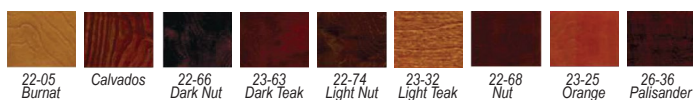
- Granite top
- Colors of choice
- Wooden casing
- Cold version, salad case
- Wheels



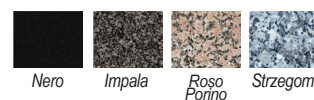
SPECIFICATIONS						
MODEL	LENGTH	DEPTH	HEIGHT	WEIGHT (LBS / KG)	PANS	ELECTRICAL
JK2-CHD	37 ¾"	27 ¾"	53 ¼"	330 / 150	2	220V / 60Hz / 1ph 11 AMP
JK3-CHD	49"	27 ¾"	53 ¼"	352 / 160	3	220V / 60Hz / 1ph 12 AMP
JK4-CHD	59 ¼"	27 ¾"	53 ¼"	396 / 180	4	220V / 60Hz / 1ph 17 AMP
JK5-CHD	75"	27 ¾"	53 ¼"	440 / 200	5	220V / 60Hz / 1ph 20 AMP
JK6-CHD	87 ½"	27 ¾"	53 ¼"	485 / 220	6	220V / 60Hz / 1ph 22 AMP
JK7-CHD	100 ½"	27 ¾"	53 ¼"	585 / 265	7	220V / 60Hz / 1ph 24 AMP



Wood Stains



Granite Finishes



Available Colors

