

HWM-HD

CURVED FRONT GLASS HOT FOOD DISPLAY

DESCRIPTION OF STANDARD UNIT:

- Construction of powder steel
- ABS sides
- Stainless steel work top
- Dual heated system, with upper infrared heating
- Top lighting
- Stainless steel top
- Heated Aluminum glass profile
- Temp. range* : +35 ÷ +90 °C
- Front opening glass
- Digital temperature control



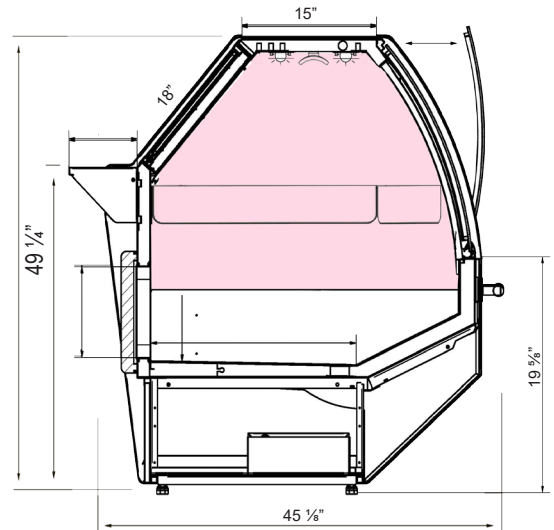
OPTIONS:

- Granite top
- Colors of choice
- Wooden casing
- Cold version, salad case
- Wheels

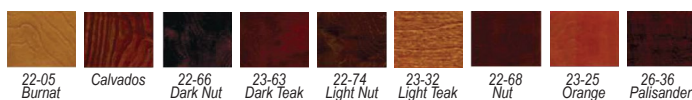


COSTUME FINISH AVAILABLE

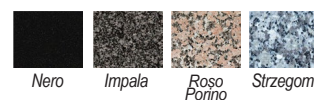
SPECIFICATIONS					
MODEL	LENGTH	DEPTH	HEIGHT	WEIGHT (LBS / KG)	ELECTRICAL
HWM4-HD	52 1/4"	45 1/8"	49 1/4"	447 / 203	220V / 60Hz / 1ph / 13 AMP
HWM8-HD	101 1/2"	45 1/8"	49 1/4"	897 / 407	220V / 60Hz / 1ph / 24AMP
HWM12-HD	151 5/8"	45 1/8"	49 1/4"	1344 / 610	220V / 60Hz / 1ph / 32AMP



Wood Stains



Granite Finishes



Available Colors

