

## SR-GF

### CURVED FRONT GLASS GELATO DISPLAY CASE

#### DESCRIPTION OF STANDARD UNIT:

- Construction of powder-coated steel
- LED Lighting
- MDF front panel and sides
- Front and side glasses with heaters
- Side and front glasses with silver serigraphy
- Silver finishes
- Stainless steel worktop
- Night blind
- White lighting
- Wheels
- Forced cooling
- Temp. range\*: -12 ÷ -24°C
- Automatic defrosting
- Automatic water Evaporation
- Ice-cream containers
- Front opening glass
- Digital temperature control

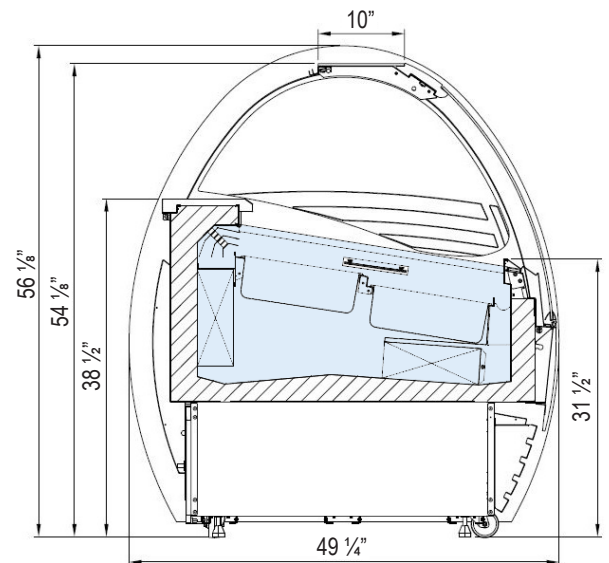


#### OPTIONS:

- Spoon washer
- For individual decoration
- Wooden casing
- Highlighted Plexiglas front
- Water cooled condenser

\* Temperature range given for max ambient temp of +30°C and relative humidity of 55%.  
 \*\* Cooling power demand: 400 W/1mr at evaporating temp. -10°C (Hawana W); 350W/1mr at evaporating temp. -25°C

| SPECIFICATIONS |         |         |         |                 |                   |                             |
|----------------|---------|---------|---------|-----------------|-------------------|-----------------------------|
| MODEL          | LENGTH  | DEPTH   | HEIGHT  | NUMBERS OF PANS | WEIGHT (LBS / KG) | ELECTRICAL                  |
| SR12-GF        | 46 1/2" | 49 1/4" | 56 1/8" | 12              | 441 / 200         | 220V / 60Hz / 1ph<br>8 AMP  |
| SR18-GF        | 66 1/4" | 49 1/4" | 56 1/8" | 18              | 617 / 280         | 220V / 60Hz / 1ph<br>12 AMP |
| SR24-GF        | 89 3/4" | 49 1/4" | 56 1/8" | 24              | 728 / 330         | 220V / 60Hz / 1ph<br>14 AMP |



#### Available Colors

