

## MDS-RD

STRAIGHT FRONT GLASS CHEESE / DELI / MEAT / FISH / SALAD / SANDWICH CASE

### DESCRIPTION OF STANDARD UNIT:

- 2 versions: with gravity (G) or forced (F) cooling
- LED Market lighting
- Construction of powder-coated steel
- ABS sides
- Front made of powder-coated steel
- Stainless steel worktop
- Stainless steel storage chamber
- Heater under evaporator (except corners)
- Heated Aluminum glass profile
- Temp. range\* for version with forced cooling (F): 0 ÷ +4 °C
- Temp. range\* for version with gravity cooling (G): 0 ÷ +4 °C
- Automatic water evaporation
- Front opening glass
- Digital temperature control



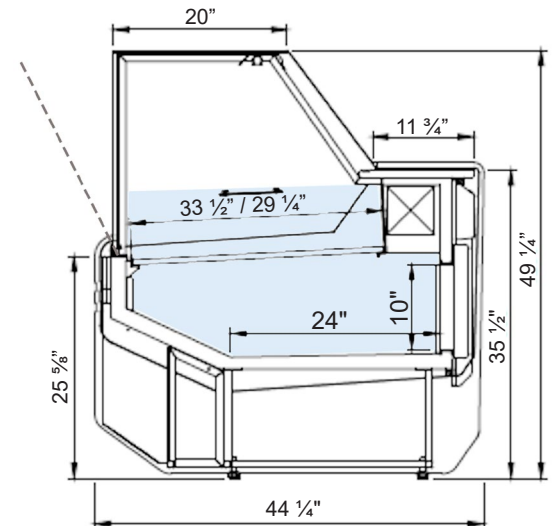
### OPTIONS:

- For external condensing unit
- Hot version (HW-H) - temp. range\*: +40 ÷ +90 °C
- Self-service version, temp. range\*: 0 ÷ +4 °C
- Fish version, temp. range (F): 0 ÷ +4 °C
- White lighting
- Multiplexing
- Cash registers cabinet
- Granite worktop
- Wheels
- Dry version

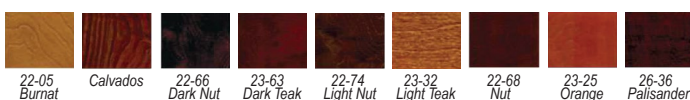
\* Temperature range given for max ambient temp of +25°C and relative humidity of 60%.  
 \*\* Cooling power demand: 400 W/1mr at evaporating temp. -10°C (F); 350W/1mr at evaporating temp. -25°C (G).

### SPECIFICATIONS

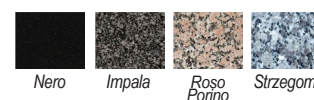
MODEL	LENGTH	DEPTH	HEIGHT	WEIGHT (LBS / KG)	ELECTRICAL
MDS3-RD	42 1/2"	44 1/4"	49 1/4"	319 / 145	115V / 60Hz / 1ph / 6 AMP
MDS4-RD	52 1/4"	44 1/4"	49 1/4"	429 / 195	115V / 60Hz / 1ph / 6 AMP
MDS5-RD	62 1/8"	44 1/4"	49 1/4"	553 / 251	115V / 60Hz / 1ph / 8 AMP
MDS6-RD	81 3/8"	44 1/4"	49 1/4"	703 / 319	115V / 60Hz / 1ph / 8 AMP
MDS8-RD	101 1/2"	44 1/4"	49 1/4"	835 / 379	115V / 60Hz / 1ph / 8 AMP
MDS10-RD	121 1/4"	44 1/4"	49 1/4"	923 / 419	115V / 60Hz / 1ph / 10.5 AMP
MDS12-RD	150 5/8"	44 1/4"	49 1/4"	1122 / 509	115V / 60Hz / 1ph / 11 AMP



### Wood Stains



### Granite Finishes



### Available Colors

