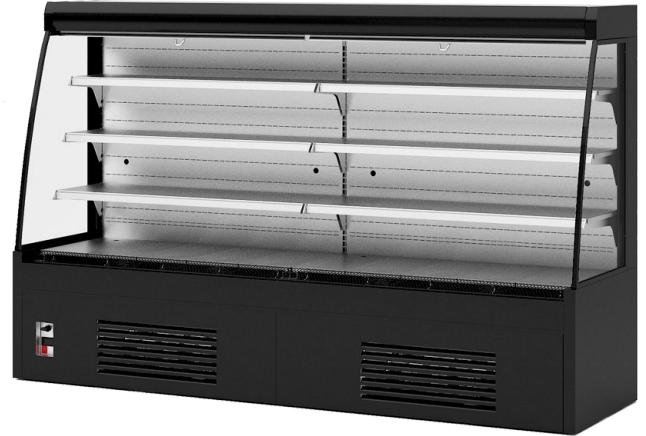


EL-SROM Self-Contained

REFRIGERATED OPEN MERCHANDISER

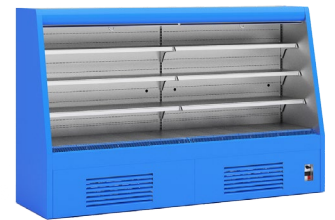
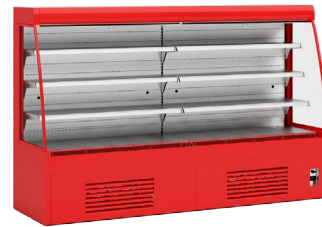
DESCRIPTION OF STANDARD UNIT:

- Construction of powder-coated steel
- LED lighting
- Glass sides
- 3 rows of adjustable shelves
- Top lighting
- Night blind
- Price strips
- Forced cooling
- Temp. range*: 0 ÷ +4°C
- Automatic defrosting
- For external condensing unit**
- Expansion valve
- Digital temperature control

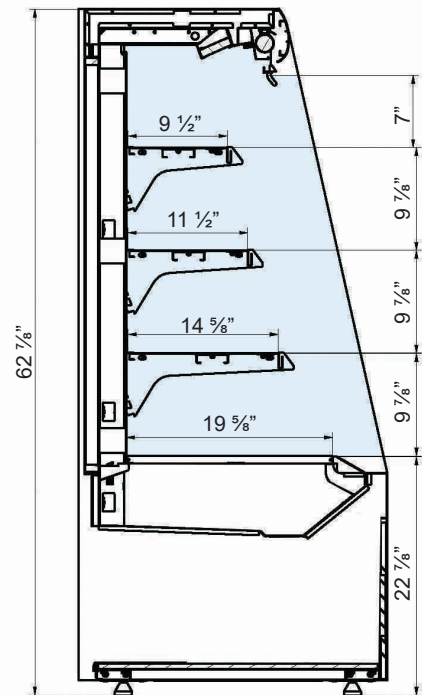


OPTIONS:

- Multiplexing (also creating islands)
- For external condensing unit (Remote)
- Highlighted shelves
- Stainless steel shelves & base decks
- Back panel from mirrored stainless steel
- Angled mirrored stainless steel roof
- Stoppers: wired or from Plexiglas
- Vertical Plexiglas separator
- Shelf separators (wired)
- Condensate pump
- Electromagnet valve



| SPECIFICATIONS | | | | | |
|----------------|----------|-------|--------|-------------------|------------------------------|
| MODEL | LENGTH | DEPTH | HEIGHT | WEIGHT (LBS / KG) | ELECTRICAL |
| EL3-SROM | 43 1/4" | 30" | 63" | 441 / 200 | 115V / 60Hz / 1ph / 15 AMP |
| EL4-SROM | 53 1/4" | | | 588 / 266 | 115V / 60Hz / 1ph / 15 AMP |
| EL5-SROM | 63" | | | 735 / 333 | 220V / 60Hz / 1ph / 8 AMP |
| EL6-SROM | 77 3/4" | | | 881 / 399 | 220V / 60Hz / 1ph / 8 AMP |
| EL8-SROM | 102 1/4" | | | 1176 / 533 | 220V / 60Hz / 1ph / 10.5 AMP |



* Temperature range given for maximum ambient temperature of +25°C and relative humidity 60%.
 ** Cooling power demand: 1500 W/1m² at evaporating temp. -10°C. Automatic water evaporation on request.
 *** In version with doors: only top lighting
 **** All measurements are approximate

Available Colors

