

DC-GF

NEW DESIGN - ANGLED FRONT GLASS

DESCRIPTION OF STANDARD UNIT:

- Construction of powder-coated steel
- LED lighting
- MDF front panel and top worktop
- Front glasses with black serigraphy
- Stainless steel worktop
- Night blind
- White lighting
- Wheels
- Forced cooling
- Temp. range*: $-12 \div -24^{\circ}\text{C}$
- Automatic defrosting
- Automatic water Evaporation
- Ice-cream containers
- Front opening glass
- Digital temperature control



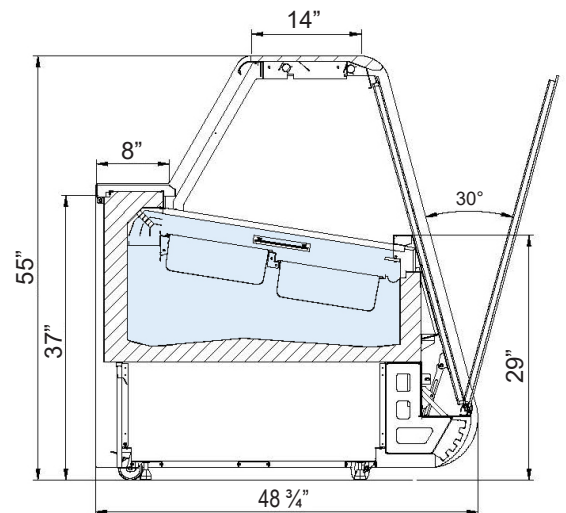
OPTIONS:

- Spoon washer
- For individual decoration
- Wooden casing
- Water cooled condenser

* Temperature range given for maximum ambient temperature of $+25^{\circ}\text{C}$ and relative humidity 55%.
 ** Values are provided for an Evaporation temp. of -35°C , condensation temp. of $+45^{\circ}\text{C}$, ambient temp of $+30^{\circ}\text{C}$ and relative humidity of 55%.

SPECIFICATIONS

MODEL	LENGTH	DEPTH	HEIGHT	NUMBERS OF PANS	WEIGHT (LBS / KG)	ELECTRICAL
DC12-GF	46 1/2"	48 3/4"	55"	12	595 / 270	220V / 60Hz / 1ph 7 AMP
DC18-GF	66 1/8"	48 3/4"	55"	18	727 / 330	220V / 60Hz / 1ph 9 AMP
DC24-GF	85 3/4"	48 3/4"	55"	24	859 / 390	220V / 60Hz / 1ph 11 AMP



Profile Colors



RAL 9005
Jet Black

Available Colors

