

BS-GF

CURVED FRONT GLASS GELATO DISPLAY CASE

DESCRIPTION OF STANDARD UNIT:

- Construction of powder-coated steel
- LED Lighting
- MDF front panel and sides
- Front and side glasses with heaters
- Side and front glasses with silver serigraphy
- Silver finishes
- Stainless steel worktop
- Night blind
- White lighting
- Wheels
- Forced cooling
- Temp. range*: -12 ÷ -24°C
- Automatic defrosting
- Automatic water Evaporation
- Ice-cream containers
- Lift up system of front glass
- Digital temperature control



OPTIONS:

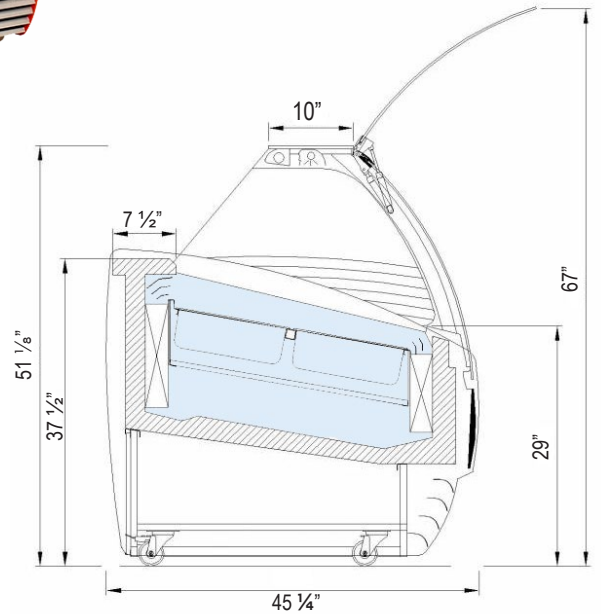
- Spoon washer
- For individual decoration
- Wooden casing
- Highlighted Plexiglas front
- Water cooled condenser

* Temperature range given for max ambient temp of +30°C and relative humidity of 55%.

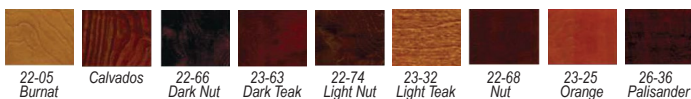
** Cooling power demand: 400 W/1mr at evaporating temp. -10°C (Hawana W); 350W/1mr at evaporating temp. -25°C

SPECIFICATIONS

MODEL	LENGTH	DEPTH	HEIGHT	NUMBERS OF PANS	WEIGHT (LBS / KG)	ELECTRICAL
BS12-GF	45 1/2"	45 1/4"	51 1/8"	12	441 / 200	220V / 60Hz / 1ph 6 / 13.5 AMP
BS18-GF	65 1/4"	45 1/4"	51 1/8"	18	617 / 280	220V / 60Hz / 1ph 9 / 24 AMP
BS24-GF	85"	45 1/4"	51 1/8"	24	728 / 330	220V / 60Hz / 1ph 12 / 27 AMP



Wood Stains



Available Colors

