

RF-WDP

NON-REFRIGERATED SQUARE GLASS DISPLAY CASE

DESCRIPTION OF STANDARD UNIT:

- 3 versions: Refrigerated (RF-R), Hot (RF-H), Dry (RF-D)
- LED lighting
- Construction of powder coated steel
- Wooden casing
- Side and front glasses: double with serigraphy (silver or black)
- Finishes: golden, silver or black
- 3 rows of highlighted adjustable shelves: glass (CM-R, CM-H) or stainless steel (CM-D)
- Yellow lighting
- Sliding, double glass rear doors
- Temp. range: room temperature
- Front glass secured by string cable
- Front opening glass

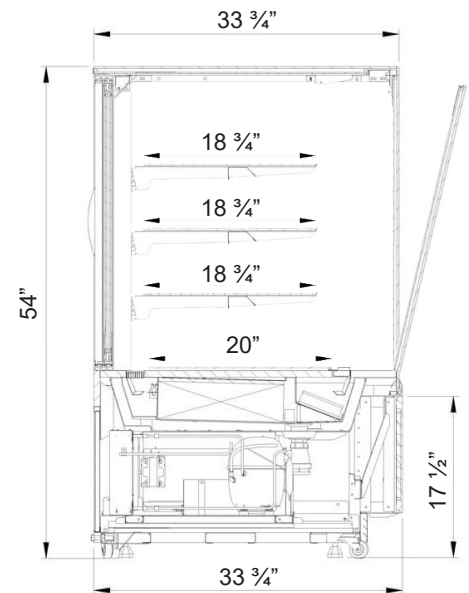


OPTIONS:

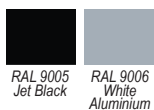
- Refrigerated version for pastry, chocolate & pralines: 0 ÷ +4 °C
- Heated version: Temp. range for RF-H: +40 ÷ +90 °C
- Wheels
- Stainless steel worktop
- For individual decoration
- Multiplexing
- Flap doors on the front
- Highlighted front

SPECIFICATIONS

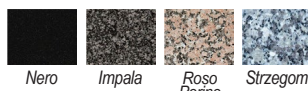
MODEL	LENGTH	DEPTH	HEIGHT	WEIGHT (LBS / KG)	ELECTRICAL
RF2-WDP	25 ¼"	33 ½"	54"	176 / 80	115V / 60Hz / 1ph / 1 AMP
RF3-WDP	37 ½"	33 ½"	54"	265 / 120	115V / 60Hz / 1ph / 2 AMP
RF4-WDP	51"	33 ½"	54"	419 / 190	115V / 60Hz / 1ph / 2 AMP



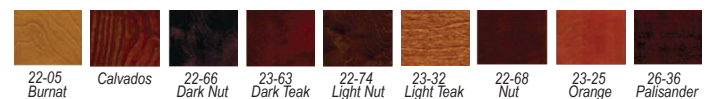
Profile Colors



Granite Finishes



Wood Stains



Available Colors

