

HW-COC

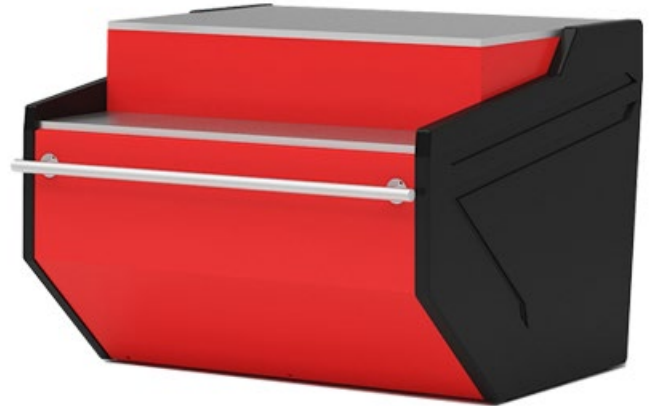
CHECK-OUT CASH COUNTER - NON REFRIGERATED UNIT

DESCRIPTION OF STANDARD UNIT:

- Construction of powder-coated steel
- ABS sides
- Front made of powder-coated steel
- Stainless steel worktop

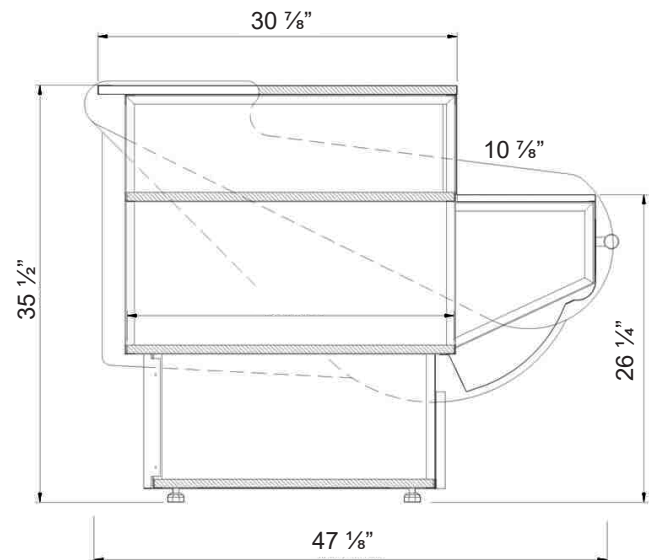
OPTIONS:

- Granite worktop
- Wheels
- Colors of choice

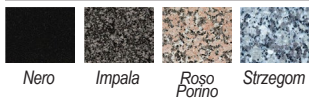


SPECIFICATIONS				
MODEL	LENGTH	DEPTH	HEIGHT	WEIGHT (LBS / KG)
HW3-COC	35 1/2"	47 1/8"	35 1/2"	315 / 142
HW4-COC	47 1/2"	47 1/8"	35 1/2"	418 / 190

Custom length available



Granite Finishes



Available Colors

