

## MDSL-RD

SELF-SERVE CHEESE / DELI / MEAT / FISH / SALAD / SANDWICH CASE

### DESCRIPTION OF STANDARD UNIT:

- Gravity cooling
- Construction of powder-coated steel
- ABS sides
- Front made of powder-coated steel
- Stainless steel worktop
- Stainless steel storage chamber (except corners)
- Heater under evaporator (except corners)
- Heated Aluminum glass profile
- Temp. range\* for version with forced cooling (F): 0 ÷ +4 °C
- Automatic water Evaporation
- Digital temperature control



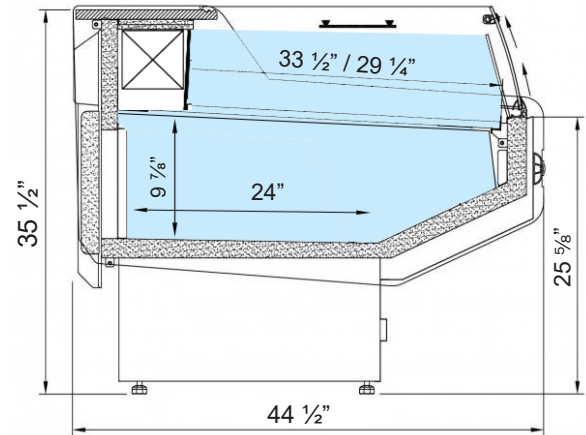
### OPTIONS:

- For external condensing unit
- Serve-over version, temp. range\*: 0 ÷ +4 °C
- Forced cooling version, temp. range (F): 0 ÷ +4 °C
- White lighting
- Multiplexing
- Granite worktop
- Wheels
- Cash registers counter

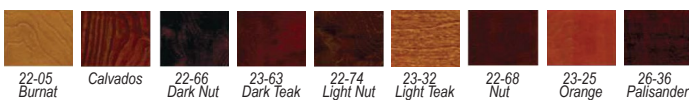
\* Temperature range given for max ambient temp of +25°C and relative humidity of 60%.  
 \*\* Cooling power demand: 400 W/1mr at evaporating temp. -10°C (F); 350W/1mr at evaporating temp. -25°C (G).

### SPECIFICATIONS

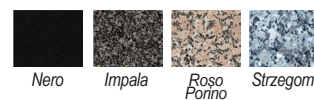
MODEL	LENGTH	DEPTH	HEIGHT	WEIGHT (LBS / KG)	ELECTRICAL
MDSL3-RD	42 1/2"	44 1/2"	35 1/2"	284 / 128	115V / 60Hz / 1ph 6 AMP
MDSL4-RD	52 1/4"	44 1/2"	35 1/2"	345 / 156	115V / 60Hz / 1ph 6 AMP
MDSL5-RD	62 1/8"	44 1/2"	35 1/2"	390 / 177	115V / 60Hz / 1ph 8 AMP
MDSL6-RD	81 3/8"	44 1/2"	35 1/2"	465 / 211	115V / 60Hz / 1ph 8 AMP
MDSL8-RD	101 1/2"	44 1/2"	35 1/2"	645 / 293	115V / 60Hz / 1ph 8 AMP
MDSL10-RD	121 1/4"	44 1/2"	35 1/2"	811 / 368	115V / 60Hz / 1ph 10.5 AMP
MDSL12-RD	150 5/8"	44 1/2"	35 1/2"	990 / 449	115V / 60Hz / 1ph 11 AMP



### Wood Stains



### Granite Finishes



### Available Colors

