

CM-COC

NON-REFRIGERATED CHECK-OUT CASH COUNTER

DESCRIPTION OF STANDARD UNIT:

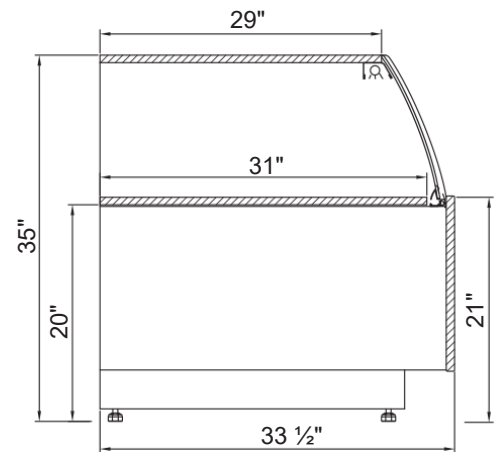
- Construction of powder coated steel
- LED lighting
- Wooden casing
- Finishes: golden, silver or black
- Yellow lighting
- Temp. range : (room temperature)
- Bottom storage area



OPTIONS:

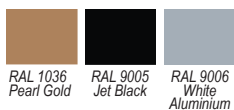
- Colors of choice
- Granite top

SPECIFICATIONS					
MODEL	LENGTH	DEPTH	HEIGHT	WEIGHT (LBS / KG)	ELECTRICAL
CM3-COC	37"	33 1/2"	35"	133 / 60	115V / 60Hz / 1ph / 1 AMP
CM4-COC	48 7/8"	33 1/2"	35"	199 / 90	115V / 60Hz / 1ph / 1 AMP

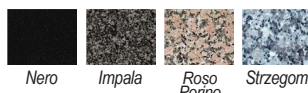


MATCHING - CM - MODEL

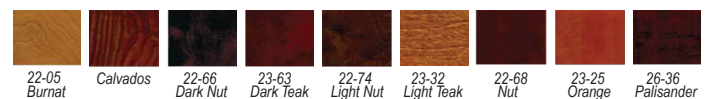
Profile Colors



Granite Finishes



Wood Stains



Available Colors

