

## MG-DP

### NON-REFRIGERATED STRAIGHT FRONT GLASS DISPLAY CASE

#### DESCRIPTION OF STANDARD UNIT:

- 2 versions: Dry (MG-D), Refrigerated (MG-R),
- LED lighting
- Construction of powder coated steel
- Wooden casing
- Front, side and top glasses: single, with serigraphy (silver or black)
- Lift up system of front glass
- 3 rows of highlighted adjustable, glass shelves
- Yellow lighting
- Bottom decks on tray slides
- Sliding, double glass rear doors
- Wheels
- Temp. range\* : room temperature

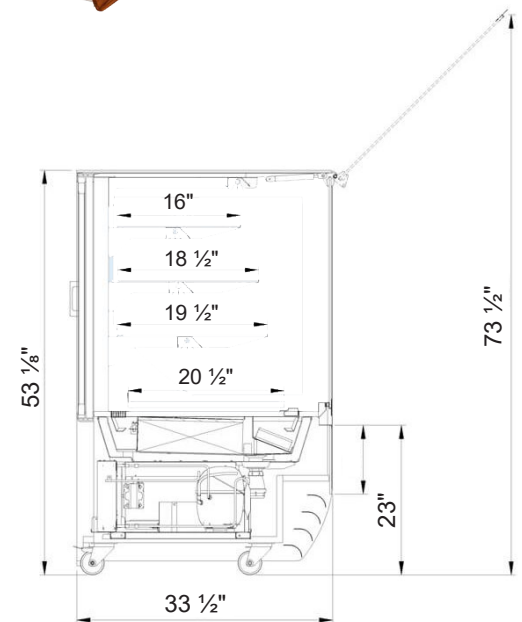


#### OPTIONS:

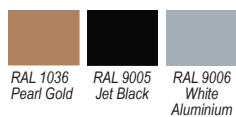
- Refrigerated version
- For external condensing unit
- Ultrasonic humidifier
- External condensing unit

\* - Values are provided for an ambient temp of +25°C and relative humidity of 60%.  
 \*\* - Cooling power demand: 1000 W/1mr at evaporating temp. -10°C.

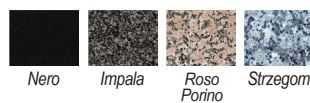
SPECIFICATIONS					
MODEL	LENGTH	DEPTH	HEIGHT	WEIGHT (LBS / KG)	ELECTRICAL
MG3-DP	37"	33 1/2"	53 1/8"	397 / 180	115V / 60Hz / 1ph / 2 AMP
MG4-DP	56 1/2"	33 1/2"	53 1/8"	618 / 280	115V / 60Hz / 1ph / 3 AMP



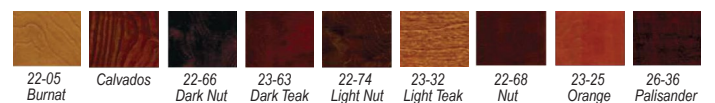
#### Profile Colors



#### Granite Finishes



#### Wood Stains



#### Available Colors

