

## HW-SD

### CURVED FRONT GLASS SALAD DISPLAY CASE

#### DESCRIPTION OF STANDARD UNIT:

- Forced cooling
- LED Market lighting.
- Construction of powder-coated steel
- ABS sides
- Front made of powder-coated steel
- Chrome bumper
- Stainless steel worktop
- Stainless steel storage chamber (except corners)
- Heater under evaporator (except corners)
- Heated Aluminum glass profile
- Temp. range\* (G): 0 ÷ +4 °C
- Front opening glass
- Automatic water Evaporation
- Digital temperature control

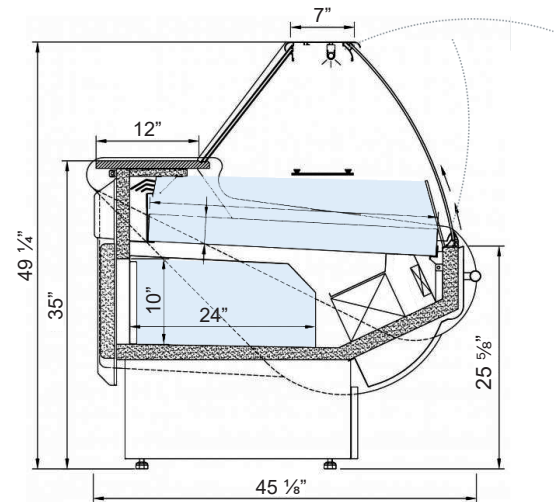
#### OPTIONS:

- For external condensing unit
- Fish version (FISH)
- Salad Display Table (HW-SD) temp. range\*: 0 ÷ +4 °C
- Hot version (HW-H) - temp. range\*: +40 ÷ +90 °C
- Self-service version, forced cooling temp. range\*: 0 ÷ +4 °C
- Glass shelf
- Separators: movable or stabile
- Stainless steel shelf for customer
- Two levels exposition trays
- Wheels
- Multiplexing
- Stand for scales, cash registers
- Granite worktop
- Lift up system of front glass



#### SPECIFICATIONS

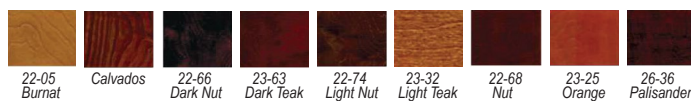
MODEL	LENGTH	DEPTH	HEIGHT	WEIGHT (LBS / KG)	ELECTRICAL
HW3-SD	42 1/2"	45 1/8"	49 1/4"	319 / 145	115V / 60Hz / 1ph / 6 AMP
HW4-SD	52 1/4"	45 1/8"	49 1/4"	375 / 170	115V / 60Hz / 1ph / 6 AMP
HW5-SD	62 1/8"	45 1/8"	49 1/4"	430 / 195	115V / 60Hz / 1ph / 8 AMP
HW6-SD	81 3/4"	45 1/8"	49 1/4"	507 / 230	115V / 60Hz / 1ph / 8 AMP
HW8-SD	101 1/2"	45 1/8"	49 1/4"	683 / 310	115V / 60Hz / 1ph / 8 AMP
HW10-SD	121 1/4"	45 1/8"	49 1/4"	859 / 390	115V / 60Hz / 1ph / 10.5 AMP
HW12-SD	150 5/8"	45 1/8"	49 1/4"	1036 / 470	115V / 60Hz / 1ph / 11 AMP



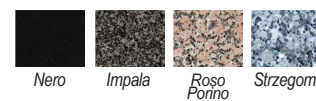
\* Temperature range given for max ambient temp of +30°C and relative humidity of 55%.

\*\* Cooling power demand: 400 W/1mr at evaporating temp. -10°C (Hawana W); 350W/1mr at evaporating temp. -25°C

#### Wood Stains



#### Granite Finishes



#### Available Colors

