

## MDS-COC

### CHECK-OUT CASH COUNTER - NON REFRIGERATED UNIT

#### DESCRIPTION OF STANDARD UNIT:

- Construction of powder-coated steel
- ABS sides
- Front made of powder-coated steel
- Stainless steel worktop

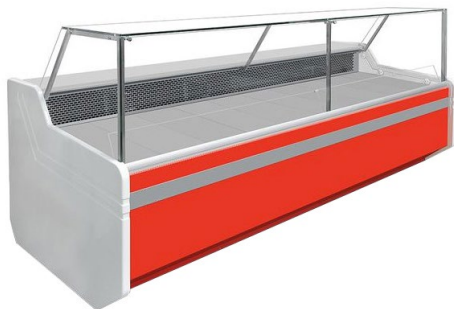
#### OPTIONS:

- Granite worktop
- Wheels
- Colors of choice

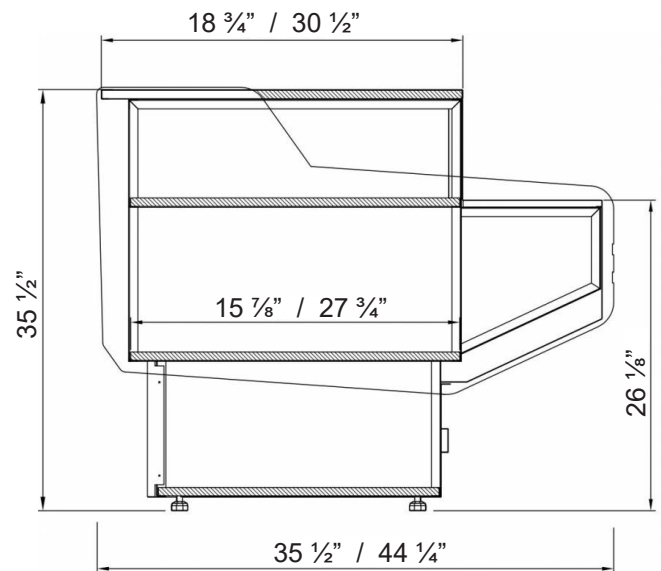


SPECIFICATIONS				
MODEL	LENGTH	DEPTH	HEIGHT	WEIGHT (LBS / KG)
MDS3-COC	35 1/2"	44 1/4"	35 1/2"	198 / 90

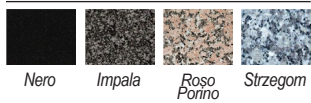
**\*\*Custom length available\*\***



MATCHING -MDS- MODEL



#### Granite Finishes



#### Available Colors

