

## HWF-RD

### CURVED FRONT GLASS FISH CASE

#### DESCRIPTION OF STANDARD UNIT:

- Gravity cooling
- Coated evaporator coil
- LED Market lighting
- Construction of powder-coated steel
- ABS sides
- Front made of powder-coated steel
- Stainless steel worktop
- Ice pan
- Stainless steel storage chamber
- Heater under evaporator (except corners)
- Heated Aluminum glass profile
- Temp. range\* for version with gravity cooling (G): 0 ÷ +4 °C
- Automatic water evaporation
- Front opening glass
- Digital temperature control



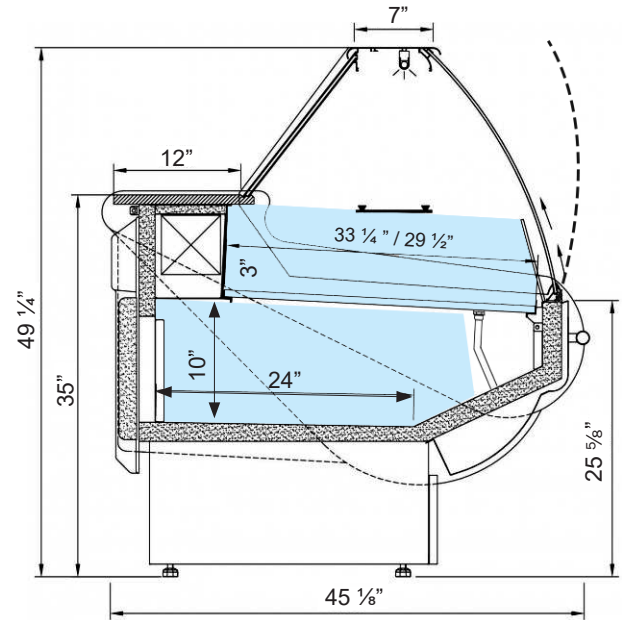
#### OPTIONS:

- For external condensing unit
- Hot version (HW-H) - temp. range\*: +40 ÷ +90 °C
- Self-service version, temp. range\*: 0 ÷ +4 °C
- Corner unit
- Multiplexing
- Multiplexing
- Cash registers cabinet
- Granite worktop
- Lift up system of front glass
- Wheels

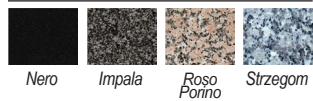
\* Temperature range given for max ambient temp of +25°C and relative humidity of 60%.  
 \*\* Cooling power demand: 400 W/1mr at evaporating temp. -10°C (F); 350W/1mr at evaporating temp. -25°C (G).

#### SPECIFICATIONS

MODEL	LENGTH	DEPTH	HEIGHT	WEIGHT (LBS / KG)	ELECTRICAL
HWF3-RD	42 1/2"	45 1/8"	49 1/4"	325 / 147	115V / 60Hz / 1ph / 6 AMP
HWF4-RD	52 1/4"	45 1/8"	49 1/4"	380 / 172	115V / 60Hz / 1ph / 6 AMP
HWF5-RD	62 1/8"	45 1/8"	49 1/4"	440 / 199	115V / 60Hz / 1ph / 8 AMP
HWF6-RD	81 3/4"	45 1/8"	49 1/4"	617 / 280	115V / 60Hz / 1ph / 8 AMP
HWF8-RD	101 1/2"	45 1/8"	49 1/4"	739 / 335	115V / 60Hz / 1ph / 8 AMP
HWF10-RD	121 1/4"	45 1/8"	49 1/4"	880 / 399	115V / 60Hz / 1ph / 10.5 AMP
HWF12-RD	150 5/8"	45 1/8"	49 1/4"	1055 / 478	115V / 60Hz / 1ph / 11 AMP



#### Granite Finishes



#### Available Colors

