

HW-RD

CURVED GLASS - DELI / MEAT / CHEESE / SALAD & SANDWICH CASE

DESCRIPTION OF STANDARD UNIT:

- 2 versions: with gravity (G) or forced (F) cooling
- LED Market lighting.
- Construction of powder-coated steel
- ABS sides
- Front made of powder-coated steel
- Chrome bumper
- Stainless steel worktop
- Stainless steel storage chamber (except corners)
- Heater under evaporator (except corners)
- Heated Aluminum glass profile
- Temp. range* (G): 0 ÷ +4 °C
- Front opening glass
- Automatic water Evaporation
- Digital temperature control



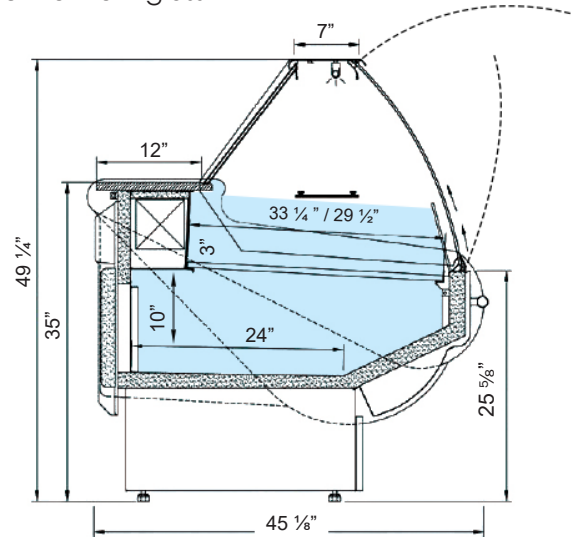
OPTIONS:

- For external condensing unit
- Fish version (FISH)
- Salad Display Table (HW-SD) temp. range*: 0 ÷ +4 °C
- Hot version (HW-H) - temp. range*: +40 ÷ +90 °C
- Self-service version, forced cooling temp. range*: 0 ÷ +4 °C
- Glass shelf
- Separators: movable or stabile
- Stainless steel shelf for customer
- Two levels exposition trays
- Wheels
- Multiplexing
- Stand for scales, cash registers
- Granite worktop
- Lift up system of front glass

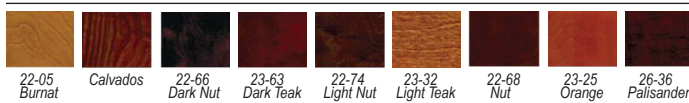
SPECIFICATIONS

MODEL	LENGTH	DEPTH	HEIGHT	WEIGHT (LBS / KG)	ELECTRICAL
HW3-RD	42 1/2"	45 1/8"	49 1/4"	319 / 145	115V / 60Hz / 1ph / 6 AMP
HW4-RD	52 1/4"	45 1/8"	49 1/4"	375 / 170	115V / 60Hz / 1ph / 6 AMP
HW5-RD	62 1/8"	45 1/8"	49 1/4"	430 / 195	115V / 60Hz / 1ph / 8 AMP
HW6-RD	81 3/4"	45 1/8"	49 1/4"	507 / 230	115V / 60Hz / 1ph / 8 AMP
HW8-RD	101 1/2"	45 1/8"	49 1/4"	683 / 310	115V / 60Hz / 1ph / 8 AMP
HW10-RD	121 1/4"	45 1/8"	49 1/4"	859 / 390	115V / 60Hz / 1ph / 10.5 AMP
HW12-RD	150 5/8"	45 1/8"	49 1/4"	1036 / 470	115V / 60Hz / 1ph / 11 AMP

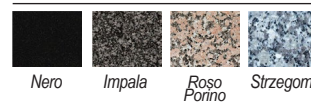
* Temperature range given for max ambient temp of +25°C and relative humidity of 60%.
 ** Cooling power demand: 400 W/1m² at evaporating temp. -10°C (F); 350W/1m² at evaporating temp. -25°C (G).



Wood Stains



Granite Finishes



Available Colors

