

DC-COC

NON-REFRIGERATED CHECK-OUT CASH COUNTER

DESCRIPTION OF STANDARD UNIT:

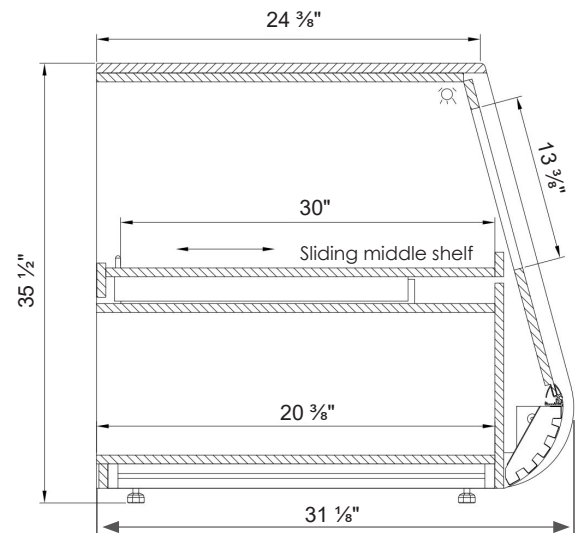
- Construction of powder coated steel
- Front display
- Front opening
- LED lighting
- Wooden casing
- Finishes: golden, silver or black
- Temp. range : (room temperature)
- Bottom storage area
- Sliding middle shelf

OPTIONS:

- Colors of choice
- Granite top



SPECIFICATIONS					
MODEL	LENGTH	DEPTH	HEIGHT	WEIGHT (LBS / KG)	ELECTRICAL
DC3-COC	35 1/2"	31" 1/8 / 38"	35"	133 / 60	115V / 60Hz / 1ph / 1 AMP
DC4-COC	48 7/8"	31" 1/8 / 38"	35"	199 / 90	115V / 60Hz / 1ph / 1 AMP



MATCHING - DC - MODEL

Profile Colors



RAL 9005
Jet Black

Available Colors

