

## CR-GF

### CURVED FRONT GLASS GELATO DISPLAY

#### DESCRIPTION OF STANDARD UNIT:

- Construction of powder-coated steel
- LED lighting
- Front panel made of powder-coated steel - highlighted (blue lighting for RAL 9006, white lighting for rest colors)
- (blue lighting for RAL 9006, white lighting for rest colors)
- MDF sides
- Side glasses with heaters
- Stainless steel worktop
- Plexiglas night curtain
- White lighting
- Gelato pans
- Forced cooling
- Temp. range\*:  $-12 \div -24^{\circ}\text{C}$
- Automatic defrosting
- Automatic water Evaporation
- Front opening glass
- Digital temperature control

#### OPTIONS:

- Wheels
- Spoon washer
- For individual decoration
- Wooden casing
- Squar front glass, model (CRS-GF)



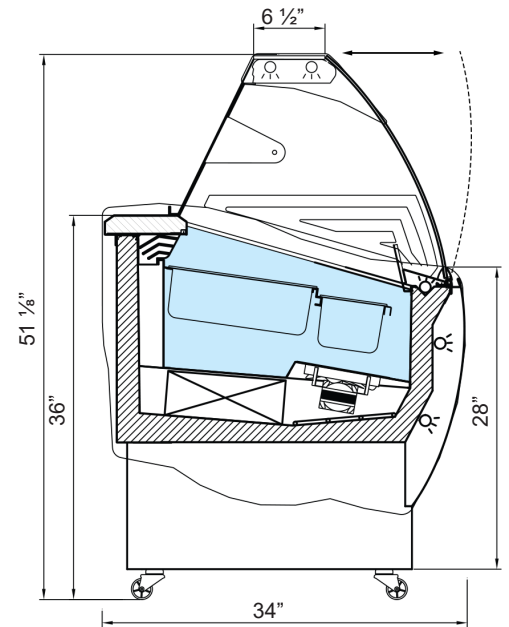
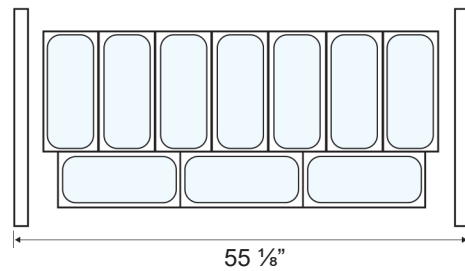
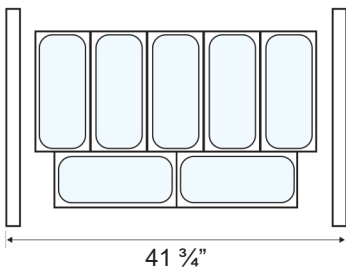
Custom Finish Available

\* Temperature range given for max ambient temp of  $+30^{\circ}\text{C}$  and relative humidity of 55%.

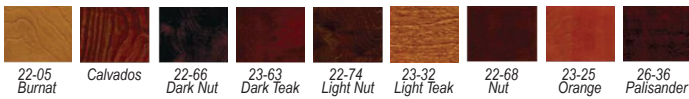
\*\* Cooling power demand: 400 W/1mr at evaporating temp.  $-10^{\circ}\text{C}$  (Hawana W); 350W/1mr at evaporating temp.  $-25^{\circ}\text{C}$

### SPECIFICATIONS

MODEL	LENGTH	DEPTH	HEIGHT	NUMBERS OF PANS	WEIGHT (LBS / KG)	ELECTRICAL
CR7-GF	41 3/4"	34"	51 1/8"	7	353 / 160	115V / 60Hz / 1ph / 11 AMP
CR10-GF	55 1/8"	34"	51 1/8"	10	419 / 190	115V / 60Hz / 1ph / 13.5 AMP



#### Wood Stains



#### Available Colors

