

CP-WRP

STRAIGHT FRONT GLASS REFRIGERATED DISPLAY CASE

DESCRIPTION OF STANDARD UNIT:

- 3 versions: Refrigerated, Hot, and Dry
- LED lighting
- Construction of powder coated steel
- Tempered, flat front and side glasses
- Yellow lighting
- Stainless steel exposition trays and worktop
- Rear Plexiglas's shutter
- Forced cooling
- Temp. range* : 0 ÷ +4°C
- Dry non refrigerated CP-DP: (room temperature)
- Automatic water Evaporation
- Hygrostat (humidity reduction)
- Front opening glass
- Digital temperature control

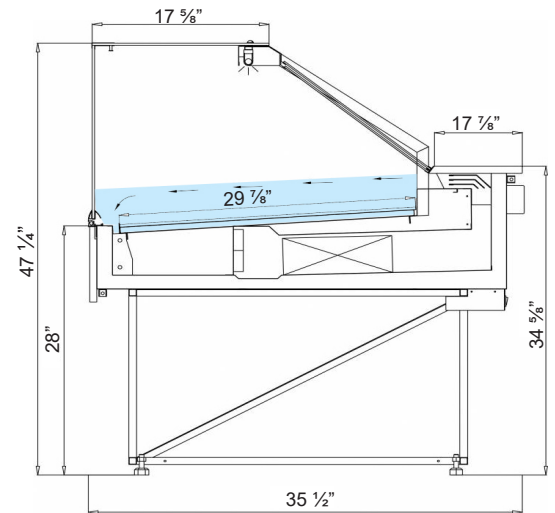


OPTIONS:

- CLASSIC casing (CLA) – straight front and sides (in RAL or wooden stain)
- RETRO casing (RET) – milled front and sides (only in RAL)
- MODERN casing (MOD) – SIBU front with LED lighting
- Version for chocolate, pralines & gelato
- For external condensing unit (AZ)**
- Wheels
- Multiplexing
- Glass shelf
- Plexiglas separator
- 2-steps exposition trays for cakes
- Grate for bread with crumb's tray
- Bakery trays
- Stand for scale, cash register
- Heated lamps for hot version
- Stainless steel bumper
- Stainless steel shelf for customers
- Granite worktop

* - Values are provided for an ambient temp of +25°C and relative humidity of 60%.
 ** - Cooling power demand: 1000 W/1m³ at evaporating temp. -10°C.

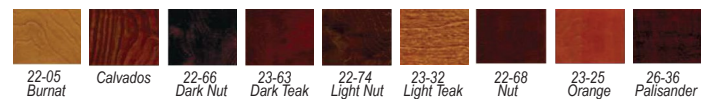
SPECIFICATIONS					
MODEL	LENGTH	DEPTH	HEIGHT	WEIGHT (LBS / KG)	ELECTRICAL
CP2-WRP	25 1/4"	35 1/2"	47 1/4"	286 / 130	115V / 60Hz / 1ph / 8 AMP
CP3-WRP	37"		47 1/4"	418 / 190	115V / 60Hz / 1ph / 9.5 AMP
CP4-WRP	53"		47 1/4"	529 / 240	115V / 60Hz / 1ph / 11.5 AMP



Profile Colors



Wood Stains



Available Colors

